



# Model 737

## Lead Shield



Nuclear



Healthcare



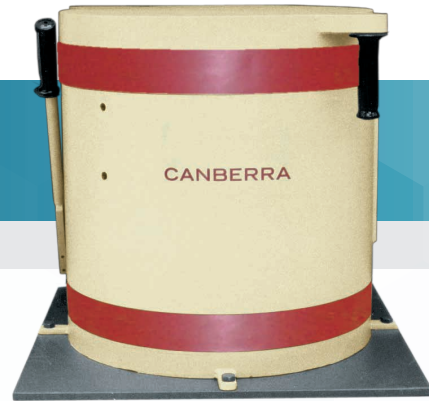
Homeland  
Security  
& Defense



Labs and  
Education



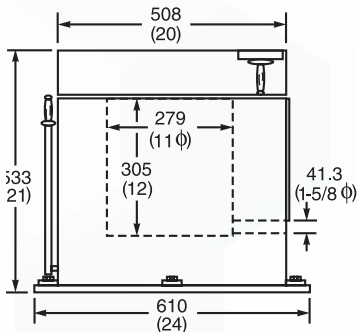
Industrial and  
Manufacturing



737 Front View  
Dimensions in mm (inches)

### KEY FEATURES

- “No stream” design for U-style cryostat
- Low center of gravity
- Four-inch low background lead
- Graded tin and copper liner
- Easy detector installation



### DESCRIPTION

The Model 737 Lead Shield is designed to accommodate U-style cryostats which have a vertical detector chamber located at the end of a horizontal arm extending from the side of the Dewar. This detector/shield arrangement excludes the preamplifier and other hardware from the shield volume and eliminates all line-of-sight streaming paths to the detector element. These factors can contribute significantly to overall background reduction in the counting system.

Unlike most shields of this type, the 737 is designed for ease of detector installation with a narrow, stepped plug providing access for the horizontal arm of the detector. This plug is removed vertically, thus minimal space is required between the shield and the Dewar with attendant reduction in floor space required for the system.

Like the Model 747 Shield, the 737 has a graded copper-tin liner and is jacketed by 3/8 in. steel finished in an attractive light grey textured paint which matches other CANBERRA products. The exclusive CANBERRA door lift mechanism allows the shield door to close lightly against the shield body, reducing the streaming path to virtually nothing.

## SPECIFICATIONS

### MATERIALS

- OUTER JACKET – 9.5 mm (3/8 in.) thick low carbon steel.
- BULK SHIELD – 10 cm (4 in.) thick low background lead.
- GRADED LINING – 1.0 mm (0.040 in.) tin and 1.5 mm (0.062 in.) copper.

### WEIGHT

- 907 kg (2000 lb); 950 kg (2050 lb) shipping weight.

### FINISH

- CANBERRA light grey textured epoxy.

### MECHANICS

- DOOR HINGE – Oiled bronze bushings.
- DOOR LIFT – Lever actuated cam.

### OPTIONS

- Model 737-1 Cryostat Stand (with adjustable legs).



737 Shown with Model 7905-30U Cryostat



©2017 Mirion Technologies (Canberra), Inc. All rights reserved.

Copyright ©2017 Mirion Technologies, Inc. or its affiliates. All rights reserved. Mirion, the Mirion logo, and other trade names of Mirion products listed herein are registered trademarks or trademarks of Mirion Technologies, Inc. or its affiliates in the United States and other countries. Third party trademarks mentioned are the property of their respective owners.

# CANBERRA